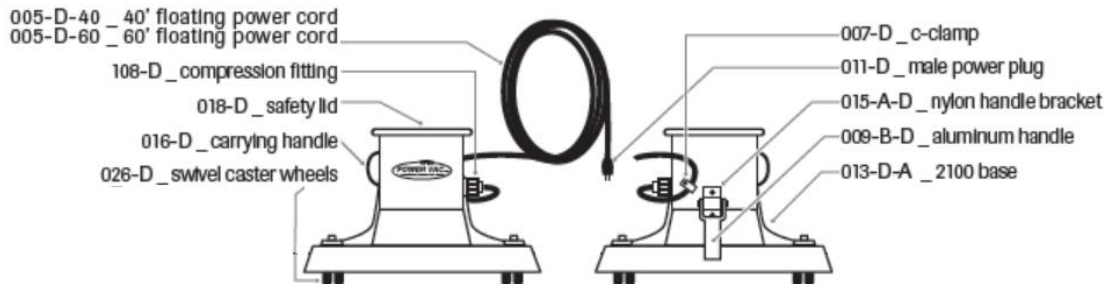




# PV2100 MODEL

## Residential Pools

**EFFECTIVE  
JANUARY 1ST, 2014**



PART #	DESCRIPTION	MSRP
<b>PORTABLE VERSIONS</b>		
002-D-40	PV2100 WITH 40' CORD PORTABLE VACUUM PACKAGE	\$847.50
002-D-60	PV2100 WITH 60' CORD PORTABLE VACUUM PACKAGE	\$945.00
<b>MOUNTABLE CARTED VERSIONS</b>		
039-D-40	PV2100 WITH 40' CORD CARTED VACUUM PACKAGE WITH TRUCK MOUNT	\$1,650.00
039-D-60	PV2100 WITH 60' CORD CARTED VACUUM PACKAGE WITH TRUCK MOUNT	\$1,740.00
<b>ON SITE CARTED VERSIONS</b>		
039-40-A-D	PV2100 WITH 40' CORD CARTED VACUUM PACKAGE	\$1,575.00
039-60-A-D	PV2100 WITH 60' CORD CARTED VACUUM PACKAGE	\$1,650.00
<b>REPLACEMENT PARTS</b>		
004-D	CORD FLOAT (FOR NON-FLOATING CORD-PURCHASED BEFORE 2010)	\$6.90
005-D-40	40' BLUE FLOATING POWER CORD W/ BRASS + MOLDED MALE PLUG (SELF INSTALLATION VOIDS WARRANTY)	\$180.00
005-D-60	60' BLUE FLOATING POWER CORD W/ BRASS + MOLDED MALE PLUG (SELF INSTALLATION VOIDS WARRANTY)	\$270.00
006-D-2100	PV2100 MOTOR (SELF INSTALLATION VOIDS WARRANTY)	\$247.50
007-D	"C"-CLAMP	\$2.18
<del>009-A-D</del>	<del>CHROME HANDLE WITH DELRON CLIP</del> <b>OBSOLETE ITEM</b>	<b>OBSOLETE ITEM</b>
009-B-D	ALUMINUM HANDLE	\$35.26
009-C-D	CHROME SWIVEL HANDLE	\$30.75
010-D	FEMALE PLUG	\$15.13
010-B-D	FEMALE PLUG W/ FUSE ATTACHMENT FOR BATTERY CASE	\$34.20
011-D	MALE PLUG (ON END OF POWER CORD)	\$15.13
012-D	PORTABLE BATTERY CARRYING CASE W/ BUILT IN FUSE	\$52.50
013-D-A	PV2100 REPLACEMENT BASE-LESS MOTOR & CORD	\$412.00
013-D-A-S	PV2100 REPLACEMENT BASE-BARE SHELL ONLY	\$315.00
015-A-D	NYLON HANDLE BRACKET (VERTICAL)	\$25.50
015-B-D	ALUMINUM HANDLE BRACKET (HORIZONTAL) FOR PV2100 / PV2500	\$47.25
016-D	CARRYING HANDLE	\$6.73
018-D	PV2100 SAFETY LID	\$3.67
026-D	SET OF 4 CASTER WHEELS	\$30.00
027-D	SINGLE SWIVEL CASTER WHEEL	\$10.40
027-D-A	SINGLE FIXED WHEEL	\$12.80
029-D	NUT & PIN FOR PROP	\$9.62
030-D-2100	TWIN BLADE PROPELLER (PROP) FOR PV2100	\$53.25
058-D	BRASS NUT FOR MOTOR	\$5.95
081-D	ORANGE CORD SEAL GROMMET	\$2.53
085-D	STEERING KIT (2 FIXED/2 SWIVEL WHEELS & CHROME SWIVEL HANDLE)	\$75.00
092-D	SINGLE PV FEMALE CONNECTOR FOR MOTOR	\$0.43
093-D	SINGLE PV MALE CONNECTOR FOR POWER CORD	\$0.43
108-D	BRASS COMPRESSION BELL W/ORANGE GROMMET	\$7.00
116-D	REPLACEMENT STRAP FOR PORTABLE BATTERY CASE	\$11.37
<b>FILTER BAGS</b>		
019-D-2100	26" SUPER FINE MESH FILTER BAG	\$29.00
020-D-2100	26" MICRON FILTER BAG	\$29.00
022-D-2100	26" HEAVY DUTY MESH FILTER BAG	\$29.00
022-D-2100L	42" HEAVY DUTY MESH FILTER BAG	\$48.00
023-D-2100	26" SCREEN MESH FILTER BAG	\$29.00
023-D-2100L	42" SCREEN MESH FILTER BAG	\$48.00

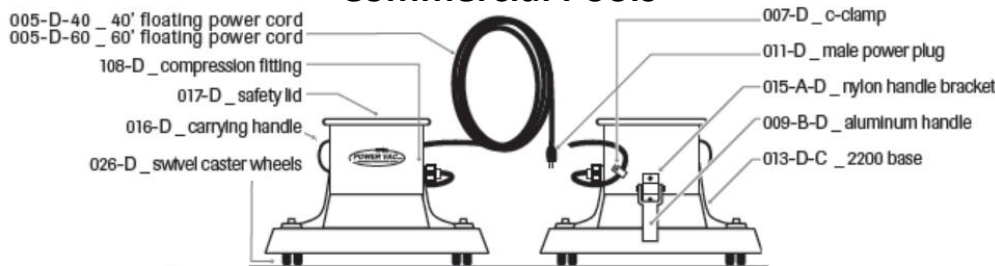
**CONTACT YOUR DISTRIBUTOR TO PLACE AN ORDER.**



# PV2200 MODEL

## Commercial Pools

**EFFECTIVE  
JANUARY 1ST, 2014**



PART #	DESCRIPTION	MSRP
<b>MOUNTABLE CARTED VERSIONS</b>		
040-D-40	PV2200 WITH 40' CORD CARTED VACUUM PACKAGE WITH TRUCK MOUNT	\$1,800.00
040-60-D	PV2200 WITH 60' CORD CARTED VACUUM PACKAGE WITH TRUCK MOUNT	\$1,890.00
<b>ON SITE CARTED VERSIONS</b>		
040-40-A-D	PV2200 WITH 40' CORD CARTED VACUUM PACKAGE	\$1,725.00
040-60-A-D	PV2200 WITH 60' CORD CARTED VACUUM PACKAGE	\$1,875.00
<b>REPLACEMENT PARTS</b>		
001-D-40	PV2200 VACUUM WITH 40' CORD (VACUUM ONLY) <b>THIS IS A REPLACEMENT VACUUM FOR YOUR LARGE CART IT IS NOT FOR PORTABLE USE!</b>	\$1,132.50
001-D-60	PV2200 VACUUM WITH 60' CORD (VACUUM ONLY) <b>THIS IS A REPLACEMENT VACUUM FOR YOUR LARGE CART IT IS NOT FOR PORTABLE USE!</b>	\$1,218.70
004-D	CORD FLOAT (FOR NON-FLOATING CORD-PURCHASED BEFORE 2010)	\$6.90
005-D-40	40' BLUE FLOATING POWER CORD W/ BRASS + MOLDED MALE PLUG (SELF INSTALLATION VOIDS WARRANTY)	\$180.00
005-D-60	60' BLUE FLOATING POWER CORD W/ BRASS + MOLDED MALE PLUG (SELF INSTALLATION VOIDS WARRANTY)	\$270.00
006-D-2200	PV2200 REPLACEMENT MOTOR (SELF INSTALLATION VOIDS WARRANTY)	\$267.00
007-D	"C"-CLAMP	\$2.18
<del>009-A-D</del>	<del>CHROME HANDLE WITH DELRON CLIP</del> <b>OBSOLETE ITEM</b>	<b>OBSOLETE ITEM</b>
009-B-D	ALUMINUM HANDLE	\$35.26
009-C-D	CHROME SWIVEL HANDLE	\$30.75
010-D	FEMALE PLUG	\$15.13
010-B-D	FEMALE PLUG W/ FUSE ATTACHMENT FOR BATTERY CASE	\$34.20
011-D	MALE PLUG (ON END OF POWER CORD)	\$15.13
013-D-C	PV2200 REPLACEMENT BASE-LESS MOTOR & CORD	\$457.00
013-D-C-S	PV2200 REPLACEMENT BASE-BARE SHELL ONLY	\$367.00
015-A-D	NYLON HANDLE BRACKET (VERTICAL)	\$25.50
015-C-D	ALUMINUM HANDLE BRACKET (HORIZONTAL) <b>FOR PV2200 OR PV3000</b>	\$47.25
016-D	CARRYING HANDLE	\$6.73
017-D	PV2200 & PV3000 SAFETY LID	\$5.95
026-D	SET OF 4 CASTER WHEELS	\$30.00
027-D	SINGLE SWIVEL CASTER WHEEL	\$10.40
027-D-A	SINGLE FIXED WHEEL	\$12.80
029-D	NUT & PIN FOR PROP	\$9.62
030-D-2200	TWIN BLADE PROPELLER (PROP) FOR PV2200	\$53.25
058-D	BRASS NUT FOR MOTOR	\$5.95
081-D	ORANGE CORD SEAL GROMMET	\$2.53
085-D	STEERING KIT (2 FIXED/2 SWIVEL WHEELS & CHROME SWIVEL HANDLE)	\$75.00
092-D	SINGLE PV FEMALE CONNECTOR FOR MOTOR	\$0.43
093-D	SINGLE PV MALE CONNECTOR FOR POWER CORD	\$0.43
108-D	BRASS COMPRESSION BELL FOR FLOATING POWER CORD W/ ORANGE GROMMET	\$7.00
<b>FILTER BAGS</b>		
019-D-2200	26" SUPER FINE MESH FILTER BAG	\$29.00
020-D-2200	26" MICRON FILTER BAG	\$29.00
022-D-2200	26" HEAVY DUTY MESH FILTER BAG	\$29.00
022-D-2200L	42" HEAVY DUTY MESH FILTER BAG	\$48.00
023-D-2200	26" SCREEN MESH FILTER BAG	\$29.00
023-D-2200L	42" SCREEN MESH FILTER BAG	\$48.00

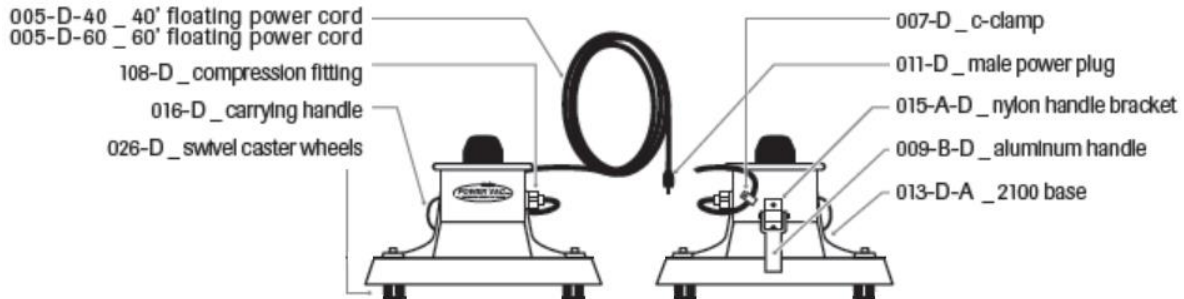
**CONTACT YOUR DISTRIBUTOR TO PLACE AN ORDER.**



# PV2500 MODEL

## Fountains & Residential Pools

EFFECTIVE  
JANUARY 1ST, 2014



PART #	DESCRIPTION	MSRP
<b>PORTABLE VERSIONS</b>		
003-D-40	PV2500 WITH 40' CORD PORTABLE VACUUM PACKAGE	\$877.50
003-D-60	PV2500 WITH 60' CORD PORTABLE VACUUM PACKAGE	\$945.00
<b>REPLACEMENT PARTS</b>		
004-D	CORD FLOAT (FOR NON-FLOATING CORD-PURCHASED BEFORE 2010)	\$6.90
005-D-40	40' BLUE FLOATING POWER CORD W/ BRASS + MOLDED MALE PLUG <b>(SELF INSTALLATION VOIDS WARRANTY)</b>	\$180.00
005-D-60	60' BLUE FLOATING POWER CORD W/ BRASS + MOLDED MALE PLUG <b>(SELF INSTALLATION VOIDS WARRANTY)</b>	\$270.00
006-D-2500	PV2500 MOTOR <b>(SELF INSTALLATION VOIDS WARRANTY)</b>	\$247.00
007-D	"C"-CLAMP	\$2.18
<del>009-A-D</del>	<del>CHROME HANDLE WITH DELRON CLIP</del>	<del>OBSOLETE ITEM</del>
009-B-D	ALUMINUM HANDLE	\$35.26
009-C-D	CHROME SWIVEL HANDLE	\$30.75
010-D	FEMALE PLUG	\$15.13
010-B-D	FEMALE PLUG W/ FUSE ATTACHMENT FOR BATTERY CASE	\$34.20
011-D	MALE PLUG (ON END OF POWER CORD)	\$15.13
012-D	PORTABLE BATTERY CARRYING CASE W/ BUILT IN FUSE	\$52.50
013-D-F	PV2500 REPLACEMENT BASE-LESS MOTOR & CORD	\$412.50
013-D-F-S	PV2500 REPLACEMENT BASE-BARE SHELL ONLY	\$315.00
015-A-D	NYLON HANDLE BRACKET (VERTICAL)	\$25.50
015-B-D	ALUMINUM HANDLE BRACKET (HORIZONTAL) <b>FOR PV2500 OR PV2100</b>	\$47.25
016-D	CARRYING HANDLE	\$6.73
026-D	SET OF 4 CASTER WHEELS	\$30.00
027-D	SINGLE SWIVEL CASTER WHEEL	\$10.40
027-D-A	SINGLE FIXED WHEEL	\$12.80
029-D	NUT & PIN FOR PROP	\$9.62
030-D-2500	TWIN BLADE PROPELLER (PROP) FOR PV2500	\$53.25
058-D	BRASS NUT FOR MOTOR	\$5.95
081-D	ORANGE CORD SEAL GROMMET	\$2.53
085-D	STEERING KIT (2 FIXED/2 SWIVEL WHEELS & CHROME SWIVEL HANDLE)	\$75.00
092-D	SINGLE PV FEMALE CONNECTOR FOR MOTOR	\$0.43
093-D	SINGLE PV MALE CONNECTOR FOR POWER CORD	\$0.43
108-D	BRASS COMPRESSION BELL FOR FLOATING POWER CORD W/ ORANGE GROMMET	\$7.00
<b>FILTER BAGS</b>		
019-D-2100	26" SUPER FINE MESH FILTER BAG	\$29.00
019-D-2500	15" SUPER FINE MESH FILTER BAG	\$21.00
020-D-2100	26" MICRON FILTER BAG	\$29.00
022-D-2100	26" HEAVY DUTY MESH FILTER BAG	\$29.00
022-D-2100L	42" HEAVY DUTY MESH FILTER BAG	\$48.00
022-D-2500	15" HEAVY DUTY MESH FILTER BAG	\$21.00
023-D-2100	26" SCREEN MESH FILTER BAG	\$29.00
023-D-2100L	42" SCREEN MESH FILTER BAG	\$48.00

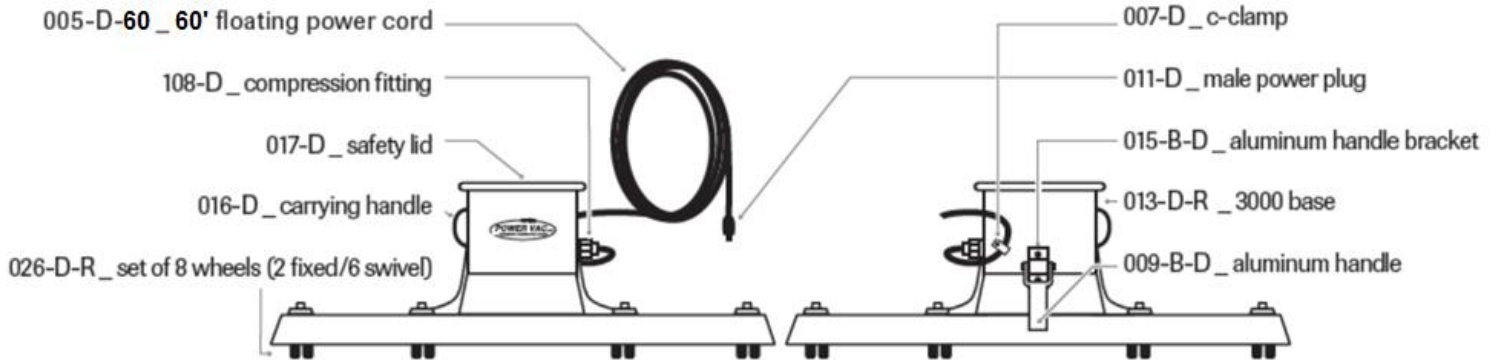
CONTACT YOUR DISTRIBUTOR TO PLACE AN ORDER.



# PV3000 MODEL

## Water Parks & Resort Pools

**EFFECTIVE  
JANUARY 1ST, 2014**



PART #	DESCRIPTION	MSRP
<b>ON SITE CARTED VERSION</b>		
003000-D-S	PV3000 WITH 60' CORD CARTED VACUUM PACKAGE	\$1,942.50
<b>REPLACEMENT VACUUM HEAD FOR CART</b>		
003000-D-H	PV3000 VACUUM W/60' FLOATING POWER CORD (VACUUM ONLY)	\$1,507.50
<b>REPLACEMENT PARTS</b>		
005-D-60	60' BLUE FLOATING POWER CORD W/ BRASS + MOLDED MALE PLUG <b>(SELF INSTALLATION VOIDS WARRANTY)</b>	\$270.00
006-D-3000	PV3000 REPLACEMENT MOTOR <b>(SELF INSTALLATION VOIDS WARRANTY)</b>	\$267.00
007-D	"C"-CLAMP	\$2.18
009-A-D	CHROME HANDLE WITH DELRON CLIP	<b>OBSELETE ITEM</b>
009-B-D	ALUMINUM HANDLE	\$35.26
009-C-D	CHROME SWIVEL HANDLE	\$30.75
010-D	FEMALE PLUG	\$15.13
010-B-D	FEMALE PLUG W/ FUSE ATTACHMENT FOR BATTERY CASE	\$34.20
011-D	MALE PLUG (ON END OF POWER CORD)	\$15.13
013-D-R	PV3000 REPLACEMENT BASE-LESS MOTOR & CORD	\$787.50
015-C-D	ALUMINUM HANDLE BRACKET (HORIZONTAL) FOR PV3000 OR PV2200	\$47.25
016-D	CARRYING HANDLE	\$6.73
017-D	PV2200 & PV3000 SAFETY LID	\$5.95
026-D-R	SET OF 8 CASTER WHEELS (2 FIXED / 6 SWIVEL)	\$67.50
027-D	SINGLE SWIVEL CASTER WHEEL	\$10.40
027-D-A	SINGLE FIXED WHEEL	\$12.80
029-D	NUT & PIN FOR PROP	\$9.62
030-D-2200	TWIN BLADE PROPELLER (PROP) FOR PV2200	\$53.25
058-D	BRASS NUT FOR MOTOR	\$5.95
081-D	ORANGE CORD SEAL GROMMET	\$2.53
092-D	SINGLE PV FEMALE CONNECTOR FOR MOTOR	\$0.43
093-D	SINGLE PV MALE CONNECTOR FOR POWER CORD	\$0.43
108-D	BRASS COMPRESSION BELL FOR FLOATING POWER CORD	\$7.00
<b>FILTER BAGS</b>		
019-D-2200	26" SUPER FINE MESH FILTER BAG	\$29.00
020-D-2200	26" MICRON FILTER BAG	\$29.00
022-D-2200	26" HEAVY DUTY MESH FILTER BAG	\$29.00
022-D-2200L	42" HEAVY DUTY MESH FILTER BAG	\$48.00
023-D-2200	26" SCREEN MESH FILTER BAG	\$29.00
023-D-2200L	42" SCREEN MESH FILTER BAG	\$48.00

**CONTACT YOUR DISTRIBUTOR TO PLACE AN ORDER.**

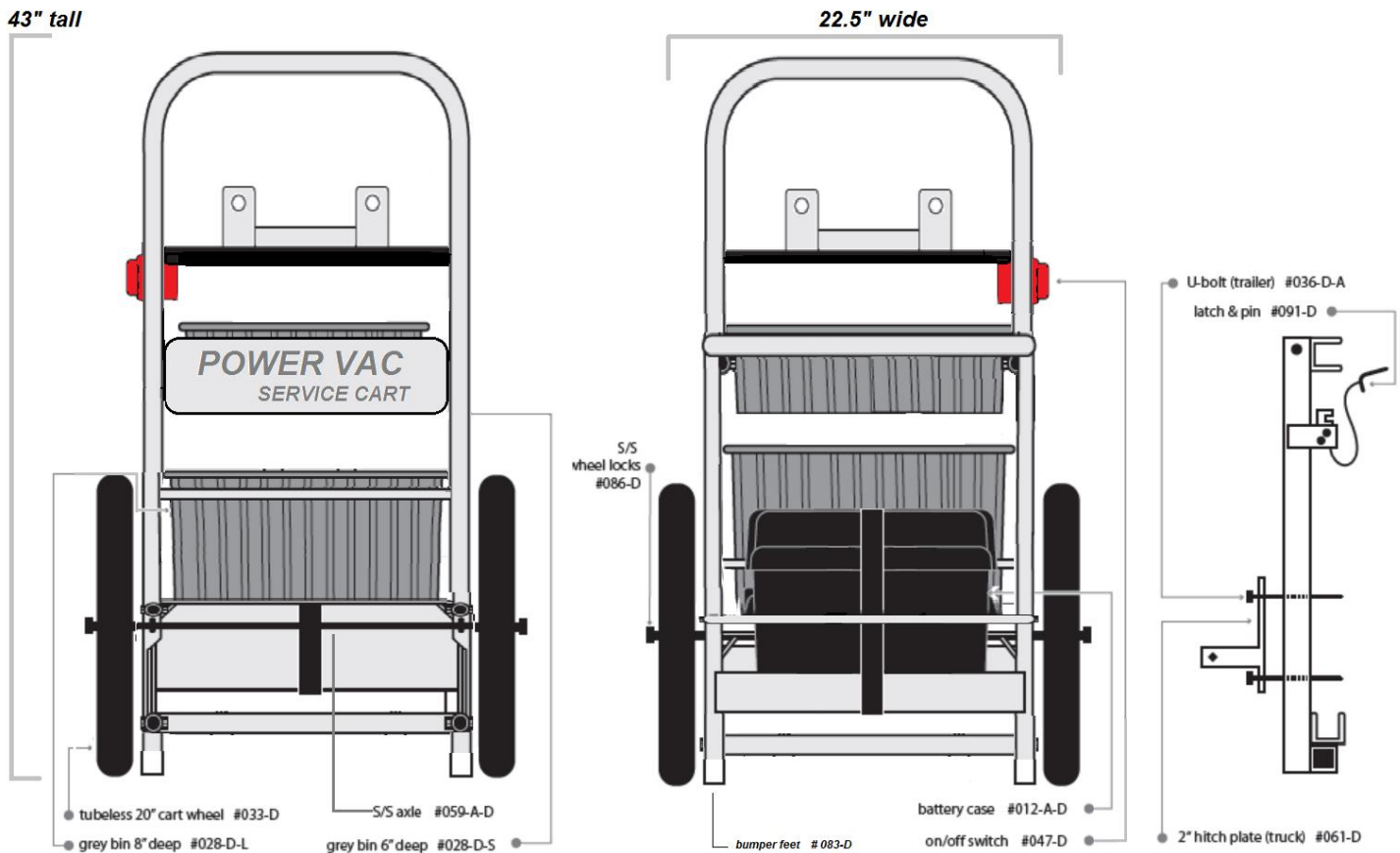


# LARGE SERVICE CART

Carries everything needed to service a pool.

Available in a truck mounted version or an on-site version.

**EFFECTIVE  
JANUARY 1ST, 2014**



ITEM #	DESCRIPTION	MSRP
<b>MOUNTABLE LARGE SERVICE CART</b>		
038-D	PV2100 / PV2500 LARGE SERVICE CART WITH MOUNT & HITCH (VACUUM <u>NOT</u> INCLUDED) <b>ONLY FITS PV2100 &amp; PV2500 MODEL VACUUMS!</b>	\$1,140.00
175-D	PV2200 LARGE SERVICE CART WITH MOUNT & HITCH (VACUUM <u>NOT</u> INCLUDED) <b>ONLY FITS PV2200 MODEL VACUUMS!</b>	\$1,140.00
<b>ON-SITE LARGE SERVICE CART</b>		
038-B-D	ON-SITE PV2100 / PV2500 LARGE SERVICE CART (VACUUM, MOUNT & HITCH <u>NOT</u> INCLUDED) <b>ONLY FITS PV2100 &amp; PV2500 MODEL VACUUMS!</b>	\$825.00
175-B-D	ON-SITE PV2200 LARGE SERVICE CART (VACUUM, MOUNT & HITCH <u>NOT</u> INCLUDED) <b>ONLY FITS PV2200 MODEL VACUUMS!</b>	\$825.00
<b>REPLACEMENT PARTS</b>		
012-A-D	LARGE BATTERY CASE WITH FEMALE PLUG	\$54.00
028-D-S	GREY BIN 6" DEEP	\$32.25
028-D-L	GREY BIN 8" DEEP	\$35.25
033-D	20" TUBELESS TIRE WITH NEW RUST FREE BEARINGS	\$84.79
036-D	LARGE U-BOLT FOR HITCH PLATE (FOR LOW RIDING VEHICLES)	\$9.75
036-D-A	MEDIUM U-BOLT FOR HITCH PLATE	\$8.25
047-D	MARINE ON/OFF BATTERY SWITCH FOR LG SVC CART W/ WIRING + FEMALE PLUG	\$82.50
049-B-D	<b>NEW RUST FREE</b> WHEEL BEARING FOR 20" TUBELESS TIRE	\$14.66
059-A-D	STAINLESS STEEL AXAL <b>MUST ADD NOTE TO P.O.: WHAT COLOR IS CART? BLUE, GRAY OR SPECKLED GRAY.</b>	\$37.50
061-D	2" HITCH PLATE (TRUCK MOUNT)	\$94.50
069-D	S/S MOUNTING POST W/LOCK & PINNACLE <b>MUST ADD NOTE TO P.O.: WHAT COLOR IS CART? BLUE, GRAY OR SPECKLED GRAY.</b>	\$300.00
083-D	NYLON BUMPER FEET	\$7.00
084-12-D	12" BUNGEE STRAP	\$5.40
086-D	S/S WHEEL LOCK NUT (SPLIT COLLAR)	\$9.00
091-D	S/S LOCKING LATCH & PIN	\$32.75

**CONTACT YOUR DISTRIBUTOR TO PLACE AN ORDER.**

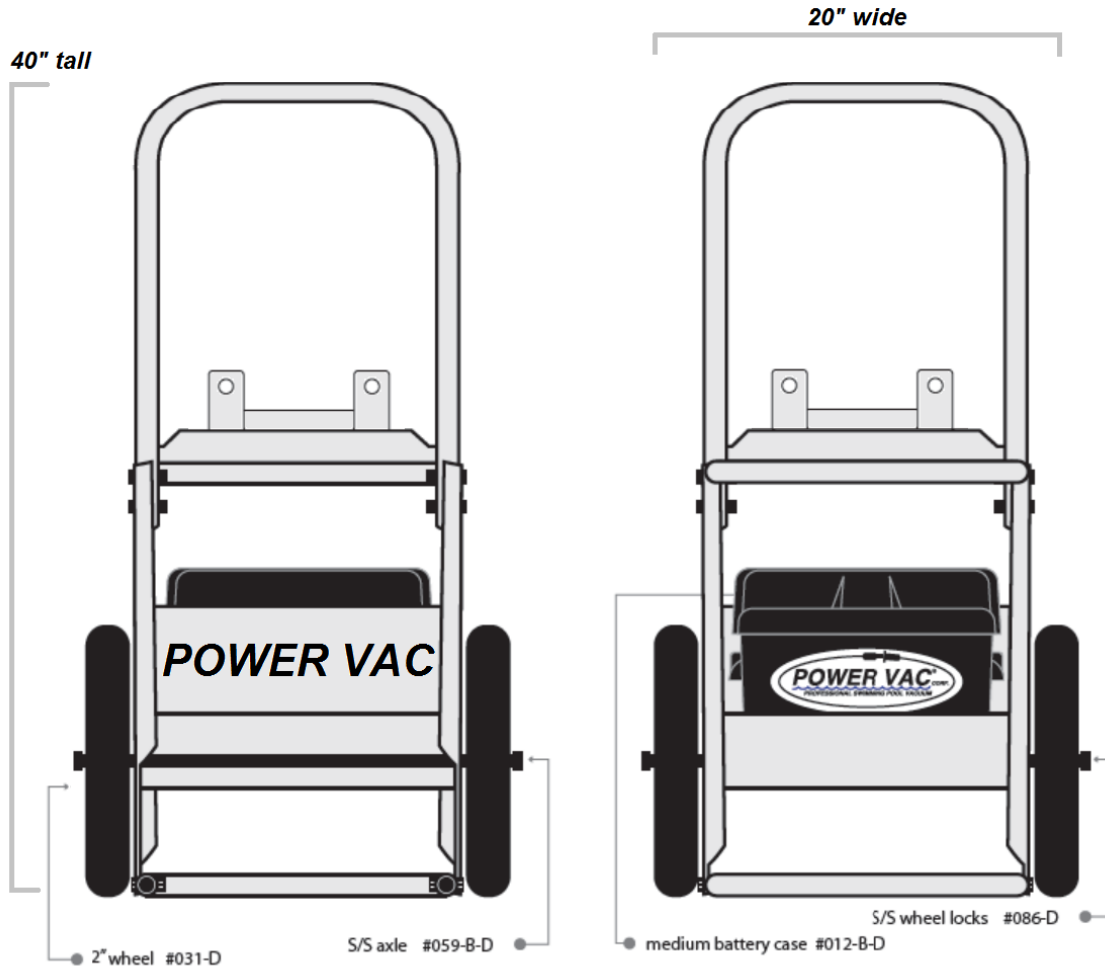


# Mini Cart

**EFFECTIVE  
JANUARY 1ST, 2014**

This cart carries the PV2100 or PV2500 vacuum and battery.

**Sold separately, as an on-site cart only.**



ITEM #	DESCRIPTION	MSRP
068-D	MINI CART (ON-SITE VERSION) <b>WILL ONLY FIT PV2100 AND PV2500 MODEL VACUUMS!</b>	\$427.50
<b>REPLACEMENT PARTS</b>		
012-B-D	MEDIUM BATTERY CASE WITH FEMALE PLUG	\$48.75
031-D	12" WHEEL WITH 2 BEARINGS	\$42.75
049-A-D	WHEEL BEARING FOR 12" WHEEL	\$9.62
059-B-D	STAINLESS STEEL AXAL FOR MINI CART	\$37.50
084-12-D	12" BUNGEE STRAP	\$5.40
086-D	S/S WHEEL LOCK NUT (SPLIT COLLAR)	\$9.00

**CONTACT YOUR DISTRIBUTOR TO PLACE AN ORDER.**